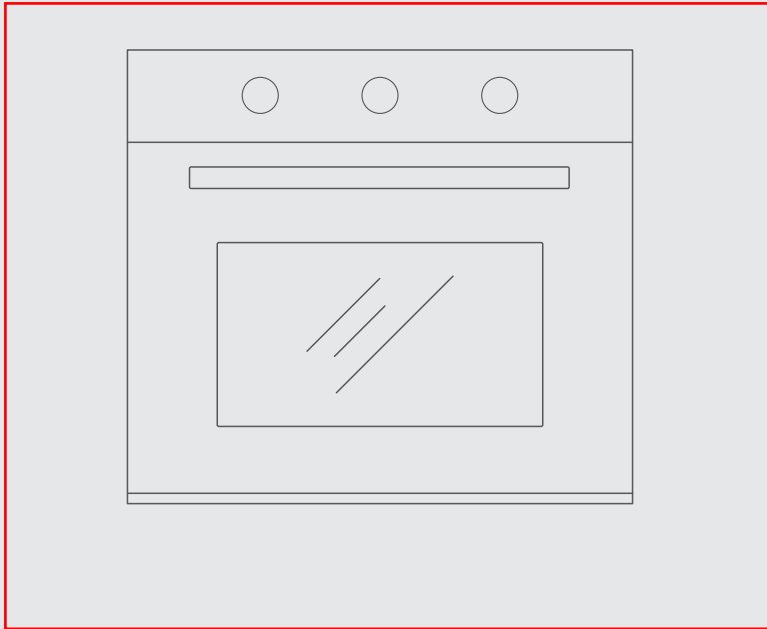


Benavent



BUILT-IN OVEN Instruction Manual

HMBM702X

Before using this product, please read this manual carefully and keep it for future reference.

DIRECTORY

SAFETY INFORMATION	SAFETY INFORMATION	1-3
INSTALLATION	Cabinet Diagram (Standing Cabinet)	4
	Cabinet Diagram (Ground Cabinet)	5
	Installation Important Instructions	6
	Installation steps	7
PRODUCT INTRODUCTION	Control Panel introduction	8
	Mode introduction	9
	First use	10
	Operation steps	10
ACCESSORY	Accessory included	11
	Accessory use	11
CLEANING MAINTENANCE	cleaning method	12
	Lamp Replacement	13
FAULT HANDLING	FAULT HANDLING	14
TECHNICAL PARAMETERS	TECHNICAL PARAMETERS	14
PRODUCT RECYCLING	PRODUCT RECYCLING	15

SAFETY INFORMATION

Thank you for choosing us! Please read all instructions before using this appliance. This book contains valuable information about operation, care and service. Keep it in a safe place for future reference. Should the appliance be sold or transferred to another owner, or should you move house and leave the appliance, always ensure that the book is supplied with appliance in order that new owner can be acquainted with the functioning of the appliance and relevant warnings.

THESE WARNINGS ARE PROVIDED IN THE INTEREST OF SAFETY. PLEASE READ THEM

CAREFULLY BEFORE INSTALLING OR USING THE APPLIANCE.

To maintain the EFFICIENCY and SAFETY of this appliance, we recommend:

- Call only the Service Centers authorized by store where you buy the cooker
 - Always use original Spare Parts
1. When the oven is first switched on, it may give off an unpleasant smell. This is due to the bonding agent used for the insulating panels within the oven. Please run the new empty product with the conventional cooking function, 250°C, 90 minutes to clean oil impurities inside the cavity.
 2. When you use it for the first time, there will be a pungent smell or smoke, which is normal. If it does happen, you should wait for the smell or smoke to disappear before putting food in the oven.
 3. Please use the product under an open environment.
 4. The appliance and its accessible parts become hot during use. Care should be taken to avoid touching heating elements. Children less than 8 years of age shall be kept away unless continuously supervised.
 5. If the surface is cracked, switch off the appliance to avoid the possibility of electric shock.
 6. This appliance can be used by children aged from 8 years and above and persons with reduced physical, sensory or mental capabilities or lack of experience and knowledge if they have been given supervision or instruction concerning use of the appliance in a safe way and understand the hazards involved. Children shall not play with the appliance. Cleaning and user maintenance shall not be made by children without supervision.

7. During use, the appliance becomes very hot. Care should be taken to avoid touching heating elements inside the oven.
8. Do not allow children to go near the oven when it is operating, especially when the grill is on.
9. Ensure that the appliance is switched off before replacing the oven lamp to avoid the possibility of electric shock.
10. The means for disconnection must be incorporated in the fixed wiring in accordance with the wiring specifications.
11. Children should be supervised to ensure that they do not play with the appliance.
12. This appliance is not intended for use by persons (including children) with reduced physical, sensory or mental capabilities, or lack of experience and knowledge, unless they have been given supervision or instruction concerning use of the appliance by person responsible for their safety.
13. Accessible parts may become hot during use. Young children should be kept away.
14. An all-pole disconnection means must be incorporated in the fixed wiring in accordance with the wiring rules.
15. If the supply cord is damaged, it must be replaced by the manufacturer, its service agent or similarly qualified persons in order to avoid a hazard.
16. Do not use harsh abrasive cleaners or sharp metal scrapers to clean the oven door glass since they can scratch the surface, which may result in shattering of the glass.
17. Only use the temperature probe recommended for this oven.
18. A steam cleaner is not to be used.
19. The appliance is not intended to be operated by means of an external timer or a separate remote control system.
20. The instructions for ovens that have shelves shall include details indicating the correct installations of the shelves.

21. Do not use the oven unless you are wearing something on your feet. Do not touch the oven with wet or damp hands or feet.
22. For oven: Oven door should not be opened often during the cooking period.
23. The appliance must be installed by an authorized technician and put into use. The producer is not responsible for any damage that might be caused by defective placement, and installation by unauthorized personnel.
24. When the door or drawer of oven is open do not leave anything on it, or you may unbalance your appliance or break the door.
25. Some parts of appliance may keep its heat for a long time; it is required to wait for it to cool down before touching onto the points that are exposed to the heat directly.
26. If you will not use the appliance for a long time, it is advised to plug it off.

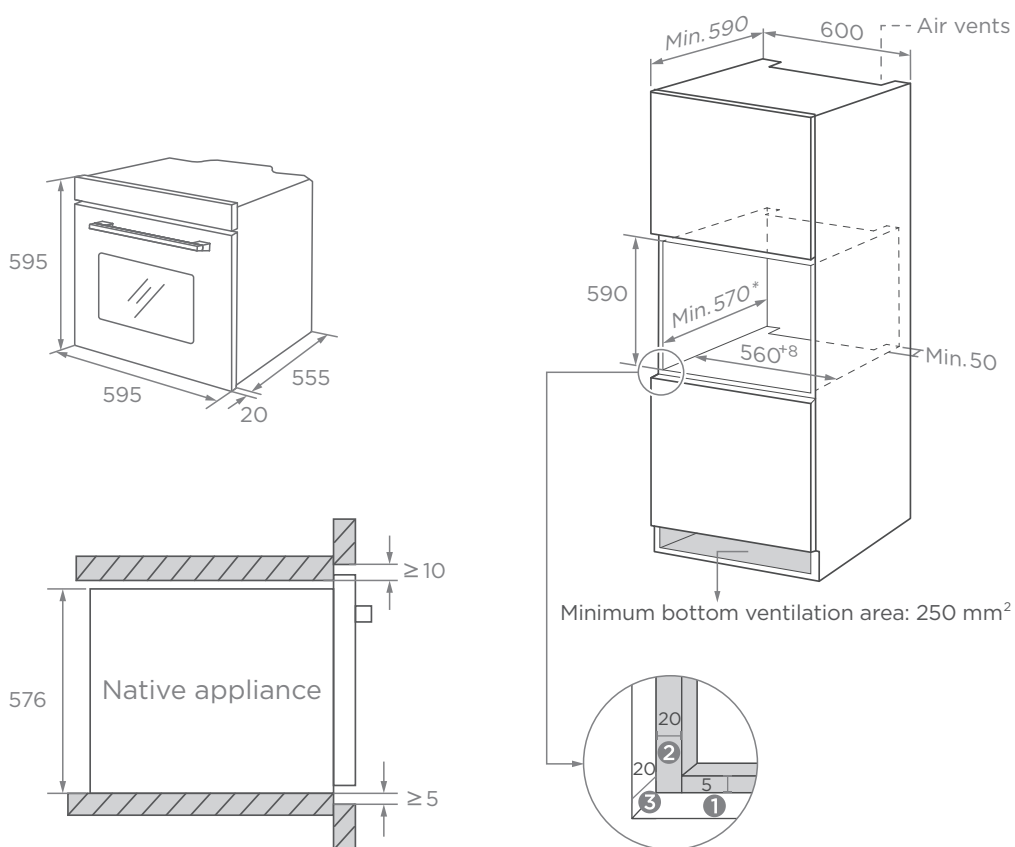
DECLARATION OF COMPLIANCE

When you have unpacked the oven, make sure that it has not been damaged in any way. If you have any doubts at all, do not use it: contact a professionally qualified person. Keep packing materials such as plastic bags, polystyrene, or nails out of the reach of children because these are dangerous to children.

INSTALLATION

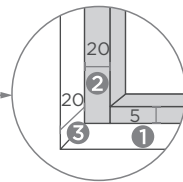
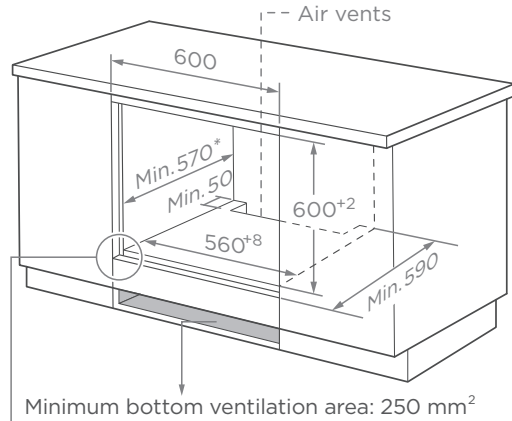
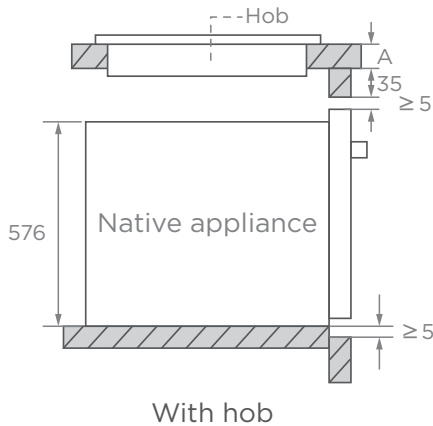
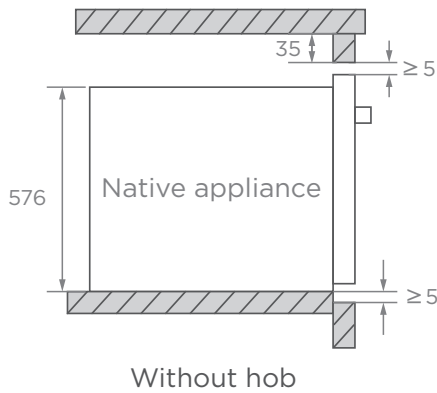
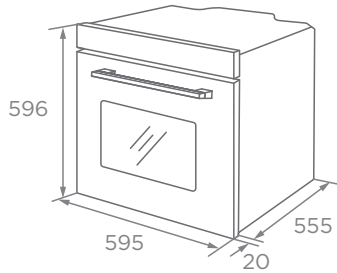
1. As the appliance is constantly upgrading, the actual appliance shall prevail if the picture is different from the actual appliance.
2. The thickness of the cabinet board is 20 mm.
3. If the power socket is installed on the back of the appliance, the depth of the cabinet opening shall be increased from a minimum of 590 mm to 620 mm.
4. The dimensions in the figures are in mm.

Cabinet Diagram (Standing Cabinet)



- 1 Reserve 5 mm for the door panel at the top and bottom respectively.
- 2 Reserve 20 mm for the door panel on the left and right respectively.
- 3 Reserve 20 mm for the door panel in thickness.

Cabinet Diagram (Ground Cabinet)



- ❶ Reserve 5 mm for the door panel at the top and bottom respectively.
- ❷ Reserve 20 mm for the door panel on the left and right respectively.
- ❸ Reserve 20 mm for the door panel in thickness.

If the appliance is installed under the hob, the minimum thickness of worktop A is shown below:

Hob type	worktop A
Induction hob	37 mm
Full-surface induction hob	47 mm
Gas hob	30 mm
Electric hob	27 mm

Installation Important Instructions

Content that means [mandatory]

1. The safe operation of this appliance can only be guaranteed if it has been installed to a professional standard in accordance with these installation instructions. The installer shall be liable for any damage resulting from incorrect installation.
2. The entire installation process requires two professional installers. Wear dry protective gloves during installation to avoid scratch or electric shock.
3. Fitted units must be heat-resistant up to 90°C, and adjacent unit fronts up to 70 °C.
4. Please use a 16A socket.

Content that means [prohibit]

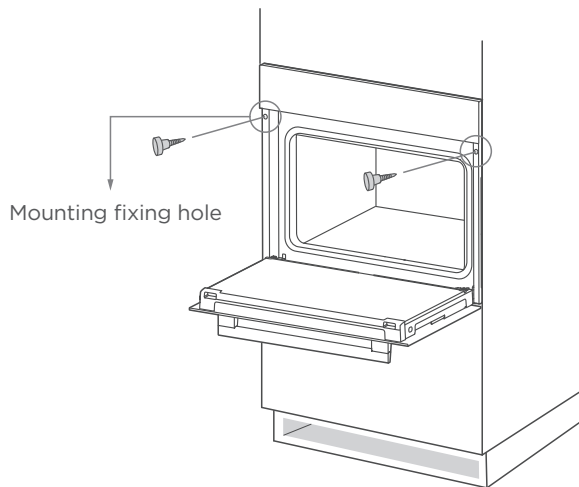
1. Do not install the appliance behind a decorative door or the door of a kitchen unit, as this may cause the appliance to overheat.
2. Check the appliance for damage after unpacking it. Do not connect the appliance if it has been damaged in transit.
3. Do not block the vent of the appliance and the gap between the cabinet and the appliance.
4. Use extreme caution when moving or installing the appliance. It is very heavy, do not lift the appliance by the door handle.
5. If the power cord or power plug is damaged, stop using the appliance immediately, to avoid fire, electric shock or other injuries.

Content that means [note]

1. Be very careful when moving or installing the appliance to avoid damage to the appliance or damage to the cabinets.
2. Before starting up the appliance, remove all packaging materials and accessories from the cavity.
3. The power socket shall be accessible to users (such as next to the cabinet) for easy power-off.
4. After installation is complete, make sure that the power plug is firmly inserted into the socket.
5. Please refer to the "Cabinet Diagram" for the requirements of net depth of the cabinet. The clearance between the cabinet bottom board and the rear board (or wall) shall not be less than 50 mm.

Installation steps

1. Please customize the cabinet according to the "Cabinet Diagram".
2. Before installation, please check for normal power socket and appropriate grounding, and check whether the cabinet dimension meets the installation requirements.
3. Place the appliance in designated locations in the kitchen, install it in a vertical cabinet, and connect the power supply.
4. To locate the mounting fixing holes, open the appliance door and look at the side frame of the appliance(position shown above).
5. Fix the appliance to the cabinet with two rubber plugs A and screws B provided with the appliance.

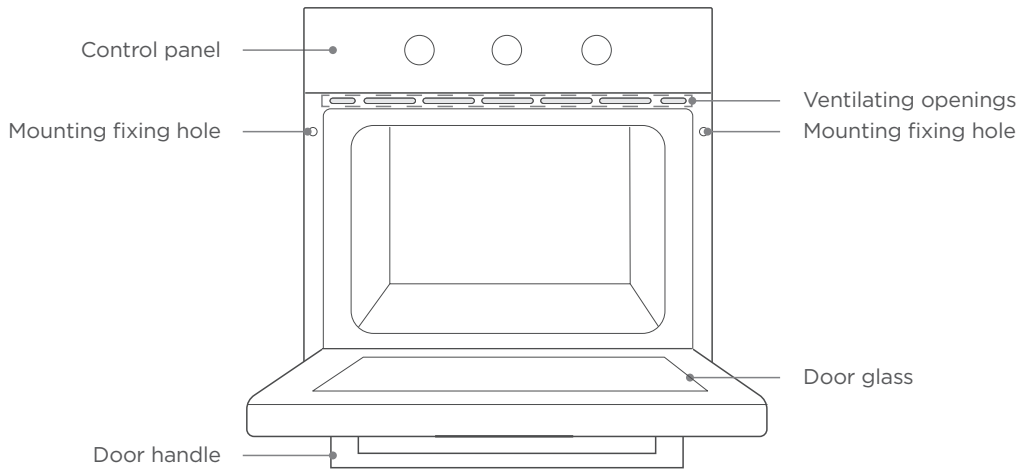


PRODUCT INTRODUCTION

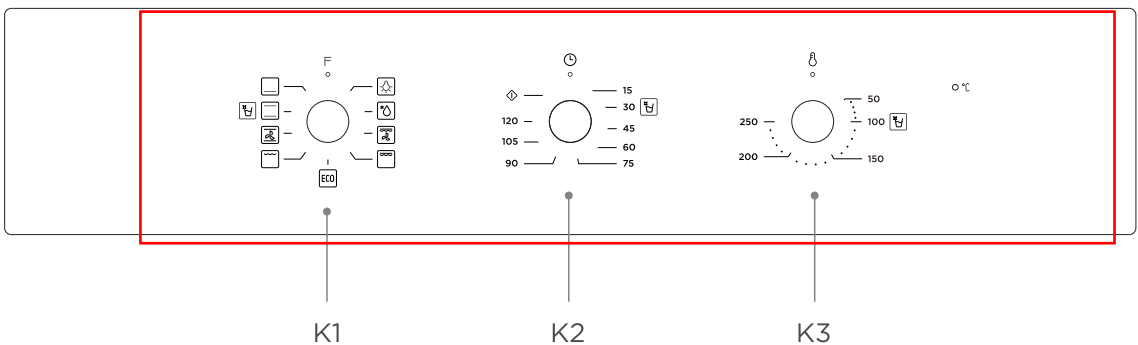
When removing food, please wear heat insulating gloves to prevent burns!

At the moment of opening the door of the furnace, pay attention to the steam. Please open the door at a small angle to avoid the steam on your face.

As the product is constantly upgraded, if there is any difference between the real object and the picture below, please refer to the real object.



Control Panel introduction













Turn knob K1 cooking mode.

Turn knob K2 to adjust the time.

Turn knob K3 to adjust the temperature.


Mode introduction

Mode	Mode introduction
 Lamp	Which enables the user to observe the progress of cooking without opening the door. Oven lamp will light for all cooking functions.except ECO function.
 Defrost	Defrost frozen food.
 Double grill + fan	Barbecue flat food. Evenly distributed heat and top two heating elements work simultaneously.
 Double grill	Bake small amounts of flat food. The top two heating elements work simultaneously.
 ECO	For energy-saved cooking.
 Radiant heat	Bake small amounts of food. Please place food in the middle layer of the cavity.
 Radiant heat	The combination of fans and heating elements provides more uniform heat penetration, saving up to 30-40% of energy.
 Conventional	The top and bottom heating elements work at the same time, making them ideal for baking larger cakes.
 Bottom heater	Heat is provided by heating pipes at the bottom of the oven. Mainly used for food keeping warm and food bottom coloring.
 Clean	Steam softens food residue or grease in the cavity.

First use

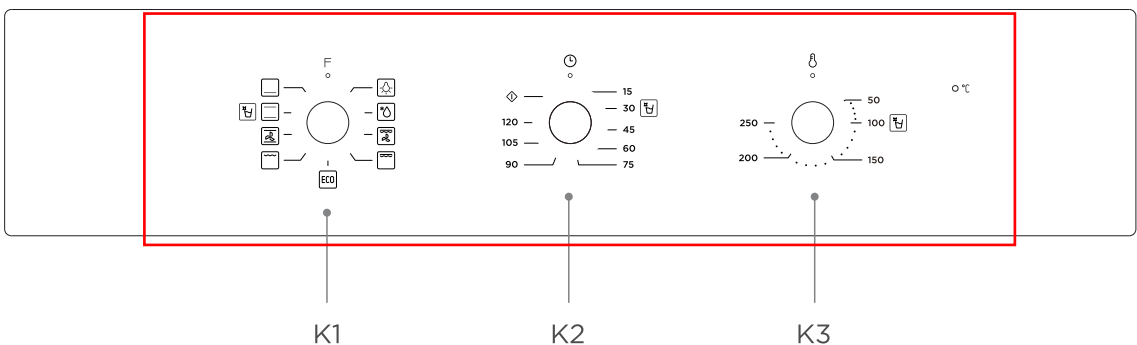
Before using it for the first time, please clean the oven and accessories to a certain extent.

1. Remove the oven packaging shipping protection parts.
2. Remove all accessories (eg: baking trays, grills, foam, etc.) from the cavity.
3. Thoroughly clean the attachment with soapy water and a rag or soft brush.
4. Wipe cavity and oven surfaces with a soft damp cloth.
5. To avoid fire, please make sure that the cavity is free of any remaining packing materials and accessories when using it for the first time.
6. When using it for the first time, keep the kitchen highly ventilated (open the hood and windows). During this time, keep children and pets out of the kitchen and keep the doors of adjacent rooms closed.
7. When used for the first time, the anti-corrosion coating of the oven heating tube evaporates when heated, which will produce a pungent smell or smoke, which is a normal phenomenon. Please run the following mode:

Mode	Temperature	Time
 Radiant heat	250°C	0.5-1 Hour

Operation steps

1. Turn knob K1 cooking mode.
2. Turn knob K2 to adjust the time.
3. Turn knob K3 to adjust the temperature.



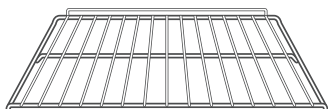
ACCESSORIES

As the products and accessories are constantly upgraded, if there is any difference between the real object and the picture below, please refer to the real object.

Your appliance is accompanied by a range of accessories. Here, you can find an overview of the accessories included and information on how to use them correctly.

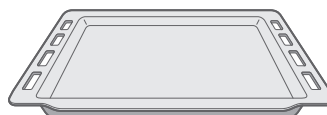
Accessories included

Your appliance is equipped with the following accessories:



Barbecue rack

Grill food or place heat-resistant cooking containers

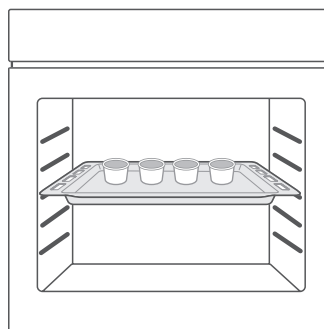
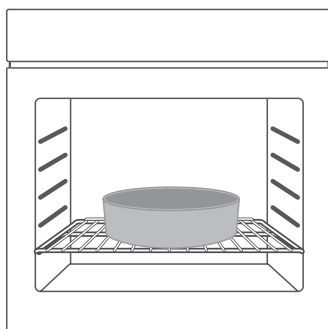
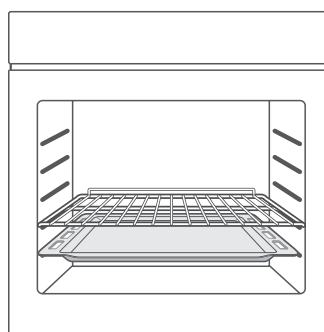
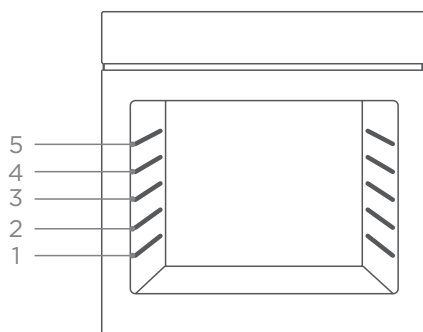


Baking Tray

Cook large portions of food or catch food scraps

Accessories use

For the oven to work properly, the grill rack and Baking Tray should only be placed between the first and fifth levels. When used together, place the Baking tray under the grill.



CLEAN AND MAINTENANCE

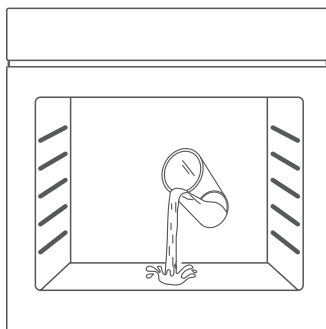
Disconnect the power supply before cleaning and maintenance.
In order to ensure the life of the machine, it should be thoroughly cleaned frequently.

cleaning method 1

1. After cooking is complete, wait for the oven to cool down completely.
2. Remove oven accessories, rinse with warm water and dry.
3. Use a hot rag to clean food residue or grease from the oven.
4. Clean the oven surface with a soft cloth dampened with detergent and dry.

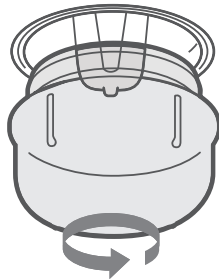
cleaning method 2

1. After cooking is complete, wait for the oven to cool down completely.
2. Remove oven accessories, rinse with warm water and dry.
3. Use a hot rag to clean food residue or grease from the oven.
4. Clean the oven surface with a soft cloth dampened with detergent and dry.
5. Start the cleaning function. The operation steps are as follows:
 - 1). Add about 250 ml of purified water and an appropriate amount of dish soap to the cavity and stir well.
 - 2). With the oven door closed, turn Knob 1 to the "☞" position.
 - 3). Turn knob K2 to the "30 minutes" position.
 - 4). Turn knob K3 to the "100°C" position.
6. After the oven has cooled completely, dry the cavity with a clean absorbent sponge or soft cloth.



Lamp Replacement

1. Switch off and disconnect the power from the oven. Ensure that the internal parts are cool before touching internal parts.
2. Remove the lamp cover by turning it counter-clockwise (note, it may be stiff), replace the bulb with a new one of the same type.
3. Insert the new bulb, which should be resistant to 300°C. For replacement bulbs contact your local service centre.
4. Re-fit the cover.
5. If in any doubt, consult a qualified electrician for help.



WARNING:

To avoid electric shocks-please ensure that the electricity supply to the appliance is switched off and the appliance is fully cold. before removing the lamp lens.

FAULT HANDLING

If the problem cannot be solved or other problems occur, please contact the after-sales service.

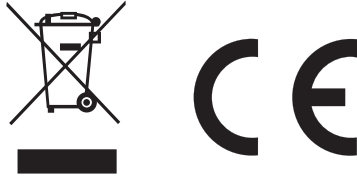
The fault phenomenon	Possible causes	Processing method
After cooking, the machine still has the sound of working (the sound of the fan rotating).	Fan delay blowing, used for heat dissipation.	Under normal conditions, food can be taken out normally without treatment; Do not unplug the fan while it is in operation.
There is a sound in the oven cavity when the oven is working.	1. The sound of a cavity expanding by heat and contracting by cold. 2. The furnace cavity is not cleaned for a long time, which accumulates a lot of grease.	1. Belong to normal condition, need not deal with. 2. Wipe the heating tube and furnace cavity with a clean towel.
The first use has an unpleasant smell.	Heating tube with anticorrosive coating, heating after melting smell.	For the first use, please heat the cavity in a well-ventilated environment for half an hour.
The machine was smoking.	1. Product failure damage. 2. The furnace cavity has oil, food residue, etc., not cleaned in time.	1. Turn off the power and seek after service. 2. Wipe the heating tube and furnace cavity with a clean towel
The food is not cooked.	1. The heating time is too short. 2. Oversized portions of food.	1. Prolong the heating time appropriately. 2. Break the food into small pieces or cook it multiple times.
Furnace light not on.	The furnace lamp is broken.	Please seek after service.

TECHNICAL PARAMETERS

Model	HMBM702X		
Usable Volume	65L	Rated voltage	220-240V-
EElectric, cavity (☐)	0.99 kWh/cycle	Rated frequency	50Hz-60Hz
EElectric, cavity (⊗)	0.77 kWh/cycle	EElectric power	3.0 kW
Energy efficiency class	A		

PRODUCT RECYCLING

This symbol on the product or instruction manual indicates that your device should be disposed of separately from your household waste at the end of its useful life. There is a separate recycling system locally for recycling. For more information, please contact the local authority or retailer where you purchased the product.



When you have unpacked the oven, make sure that it has not been damaged in any way. If you have any doubts at all, do not use it: contact a professionally qualified person. Keep packing materials such as plastic bags, polystyrene, or nails out of the reach of children because these are dangerous to children.

Benavent



FORNO DE ENCASTRAR

Manual de instruções

HMBM702X

Deve ler este manual atentamente e guardar o mesmo para consulta futura.

DIRETÓRIO

INFORMAÇÕES RELATIVAS À SEGURANÇA	INFORMAÇÕES RELATIVAS À SEGURANÇA	1-4
INSTALAÇÃO	Esquema do armário (Armário encastrado)	5
	Esquema do armário (Móvel)	6
	Instruções importantes de instalação	7
	Passos para a instalação	8
APRESENTAÇÃO DO PRODUTO	Apresentação do painel de controlo	9
	Apresentação do modo	10
	Primeira utilização	11
	Passos do funcionamento	11
ACESSÓRIOS	Acessórios incluídos	12
	Uso dos acessórios	12
LIMPEZA E MANUTENÇÃO	Método de limpeza 1	13
	Método de limpeza 2	13
	Substituição da lâmpada	14
RESOLUÇÃO DE PROBLEMAS	RESOLUÇÃO DE PROBLEMAS	15
PARÂMETROS TÉCNICOS	PARÂMETROS TÉCNICOS	15
RECICLAGEM DO PRODUTO	RECICLAGEM DO PRODUTO	16

INFORMAÇÕES RELATIVAS À SEGURANÇA

Obrigado por nos ter escolhido! Deve ler todas as instruções antes de usar o aparelho. Este manual inclui informação valiosa sobre o funcionamento, cuidados e reparação. Deve guardar o mesmo num local seguro para consulta futura. SE o aparelho for vendido ou transferido para outro proprietário ou se mudar de casa e deixar o aparelho, deve assegurar sempre que o manual é fornecido com o aparelho de modo a que o novo proprietário possa familiarizar-se com o funcionamento do aparelho e com as advertências respetivas.

ESTAS ADVERTÊNCIAS SÃO FORNECIDAS NO INTERESSE DA SEGURANÇA. DEVE LER AS MESMAS ATENTAMENTE ANTES DA INSTALAÇÃO OU DA UTILIZAÇÃO DO APARELHO.

Para manter a EFICIÊNCIA e a SEGURANÇA deste aparelho, recomendamos que:

- Contactar apenas os Centros de Assistência autorizados junto da loja onde comprou o fogão.
 - Usar sempre peças de substituição originais.
1. Quando o forno é ligado pela primeira vez, pode emitir um odor desagradável. Isto deve-se ao agente adesivo utilizado para os painéis isolantes no interior do forno. Ligar o novo produto vazio com a função de cozedura convencional, 250°C, 90 minutos para limpar as impurezas de óleo no interior da cavidade.
 2. Quando utilizar o aparelho pela primeira vez, haverá um odor acre ou fumo, o que é normal. Se isso acontecer, deve aguardar que o cheiro ou o fumo desapareçam antes de colocar os alimentos no forno.
 3. O aparelho deve ser usado numa espaço aberto.
 4. O aparelho e as respetivas partes acessíveis aquecem durante a utilização. Deve ter cuidado para evitar tocar nos elementos de aquecimento. As crianças com menos de 8 anos devem ser mantidas afastadas a menos que tenham uma supervisão contínua.
 5. Se a superfície apresentar fissuras, desligar o aparelho para evitar a possibilidade de choque elétrico.

6. Este equipamento pode ser usado por crianças a partir de 8 anos e mais e por pessoas com capacidades físicas, sensoriais ou mentais reduzidas ou com falta de experiência e conhecimento se lhes tiver sido dada a supervisão ou instrução relativamente ao uso do equipamento de uma forma segura e entender os riscos envolvidos. As crianças não devem brincar com o aparelho. A limpeza e a manutenção por parte do utilizador não devem ser realizadas por crianças sem supervisão.
7. Durante a utilização, o aparelho fica muito quente. Ter cuidado para evitar tocar nos elementos de aquecimento dentro do forno.
8. Não permitir que as crianças se aproximem do forno quando este estiver a funcionar, especialmente quando o grelhador estiver ligado.
9. Assegurar que o aparelho é desligado antes de substituir a lâmpada do forno, para evitar a possibilidade de choque elétrico.
10. Os meios para desligar devem ser incorporados na cablagem fixa, de acordo com as especificações da cablagem.
11. As crianças devem ser supervisionadas e impedidas de utilizar o aparelho como brinquedo.
12. Este aparelho não foi concebido para ser utilizado por pessoas (incluindo crianças) com capacidades físicas, sensoriais ou mentais reduzidas, ou com falta de experiência e conhecimentos, exceto se receberam supervisão ou instruções sobre a utilização do aparelho por uma pessoa responsável pela sua segurança.
13. As peças acessíveis podem ficar quentes durante a utilização. Manter as crianças afastadas.
14. Deve ser incorporado na cablagem fixa um meio para desligar todos os polos, de acordo com as regras de cablagem.

15. Se o cabo de alimentação estiver danificado, deve ser substituído pelo fabricante ou pelo respetivo agente de assistência ou uma pessoa similarmente qualificada para evitar riscos.
16. Não utilizar produtos de limpeza abrasivos nem raspadores de metal afiados para limpar o vidro da porta do forno, pois podem riscar a superfície, o que pode provocar estilhaçamento do vidro.
17. Utilize apenas a sonda de temperatura recomendada para este forno.
18. Não usar equipamento de limpeza a vapor.
19. O aparelho não se destina a ser operado através de um temporizador externo ou um sistema de controlo remoto separado.
20. As instruções para fornos que disponham de prateleiras devem incluir pormenores que indiquem as instalações corretas das prateleiras.
21. Não utilizar o forno se estiver descalço. Não tocar no forno com as mãos ou pés molhados ou húmidos.
22. Relativamente ao forno: A porta do forno não deve ser aberta frequentemente durante o período da cozedura.
23. O aparelho deve ser instalado e colocado em funcionamento por um técnico autorizado. O produtor não é responsável por quaisquer danos que possam ser provocados por colocação defeituosa e instalação por pessoal não autorizado.
24. Quando a porta ou gaveta do forno estiver aberta não deixar nada sobre a mesma, pode desequilibrar o seu aparelho ou partir a porta.
25. Algumas partes do aparelho podem manter o seu calor durante muito tempo; é necessário esperar que arrefeça antes de tocar nos pontos que estão expostos diretamente ao calor.
26. Se não utilizar o aparelho durante muito tempo, é aconselhável desligá-lo.

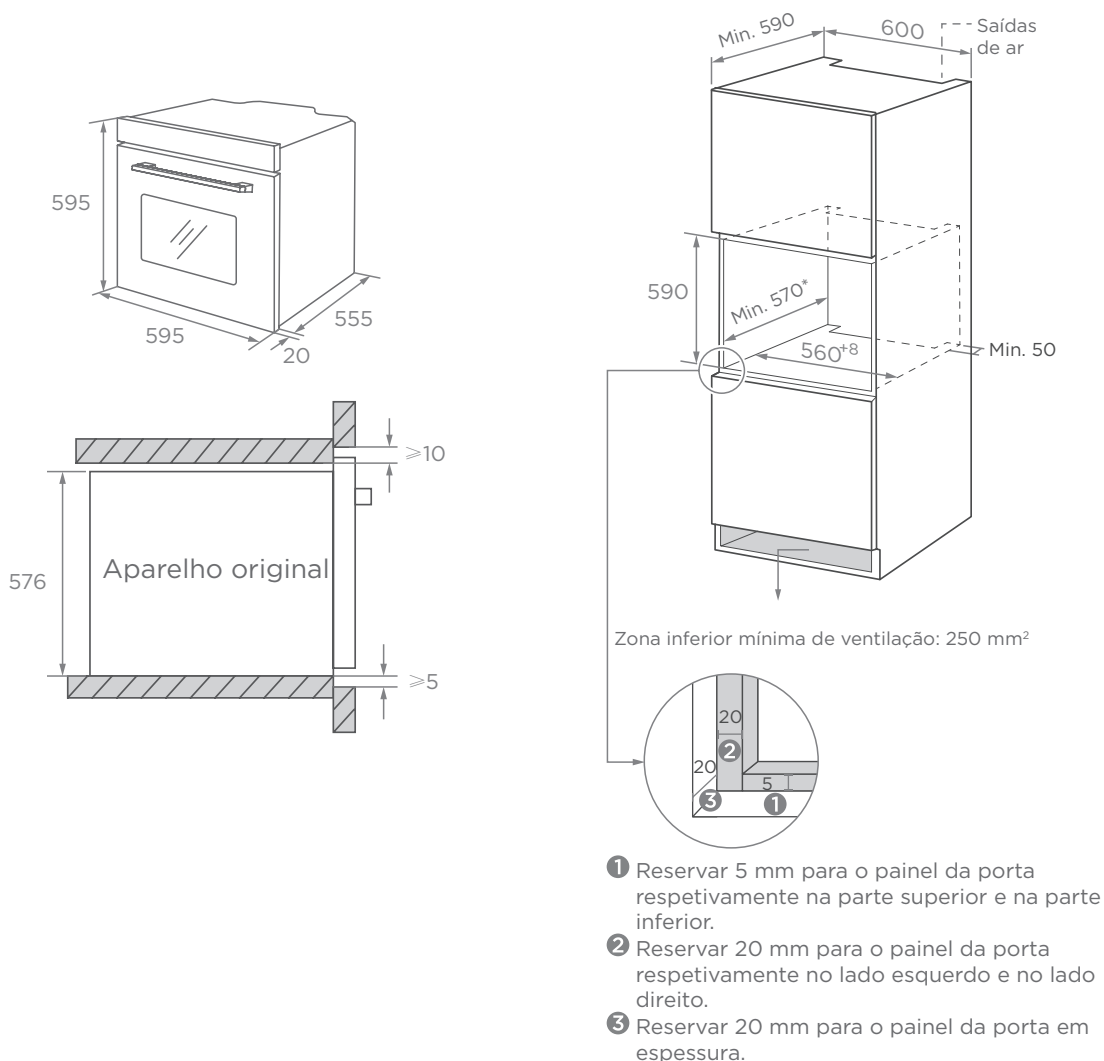
DECLARAÇÃO DE CONFORMIDADE

Quando tiver desembalado o forno, assegurar que este não tenha sido danificado de nenhuma forma. Se tiver alguma dúvida, não utilizar o forno: contactar um técnico profissionalmente qualificado. Manter os materiais da embalagem como sacos de plástico, poliestireno ou pregos fora do alcance de crianças, porque estes materiais são perigosos para as mesmas.

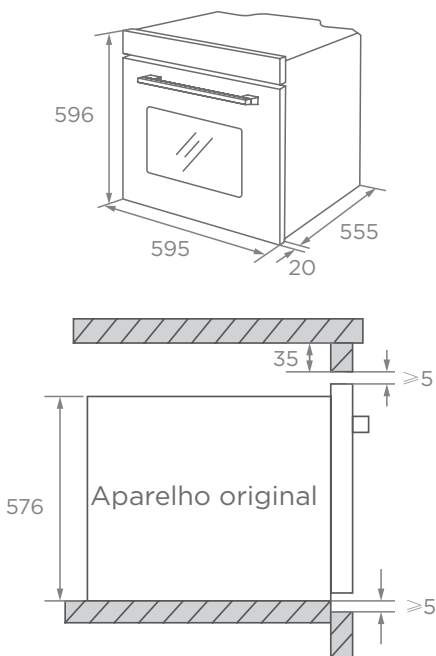
INSTALAÇÃO

1. Dado que o aparelho está a ser constantemente atualizado, o aparelho atual prevalece no caso de a imagem ser diferente do mesmo.
2. A espessura da placa do armário é de 20 mm.
3. Se a tomada de alimentação for instalada na parte de trás do aparelho. A profundidade da abertura do armário deve ser aumentada de um mínimo de 590 mm para 620 mm.
4. As dimensões nas figuras são em mm.

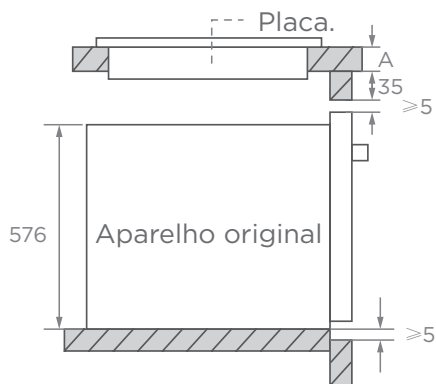
Esquema do armário (Armário encastrado)



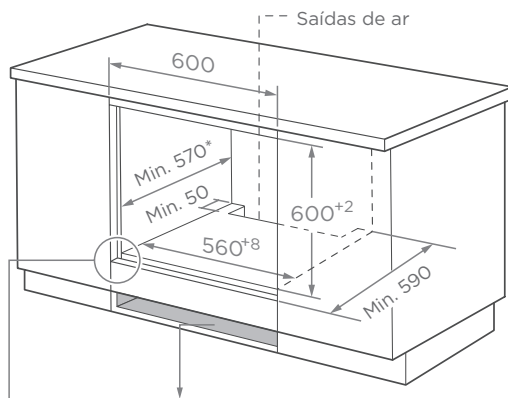
Esquema do armário (Móvel)



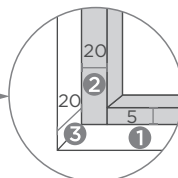
Sem placa



Com placa



Zona inferior mínima de ventilação: 250 mm²



- ❶ Reservar 5 mm para o painel da porta respetivamente na parte superior e na parte inferior.
- ❷ Reservar 20 mm para o painel da porta respetivamente no lado esquerdo e no lado direito.
- ❸ Reservar 20 mm para o painel da porta em espessura.

Se o aparelho for instalado por baixo da placa, a espessura mínima da bancada A é mostrada abaixo:

Tipo de placa	bancada A
Placa de indução	37 mm
Placa de indução de superfície integral	47 mm
Placa a gás	30 mm
Placa elétrica	27 mm

Instruções importantes de instalação

Conteúdo que é importante [obrigatório]

1. O funcionamento seguro deste aparelho pode apenas ser garantido se o mesmo tiver sido instalado a um nível profissional em conformidade com estas instruções de instalação. O instalador deve ser responsável por quaisquer danos resultantes de uma instalação incorreta.
2. Todo o processo de instalação exige dois instaladores profissionais. Deve usar luvas de proteção durante a instalação para evitar arranhões ou choques elétricos.
3. Os armários instalados devem ser resistentes ao calor até 90 °C e as frentes dos armários adjacentes devem ser resistentes até 70 °C.
4. Usar uma tomada de 16A.

Conteúdo que é importante [proibido]

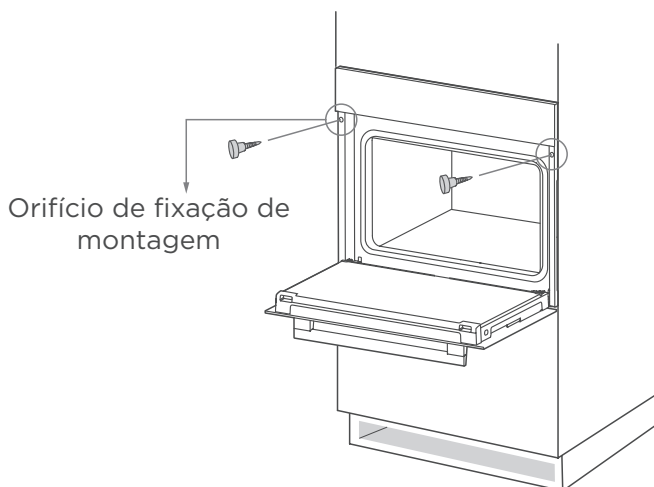
1. Não instalar o aparelho por trás de uma porta decorativa ou da porta de um móvel de cozinha, dado isso poder provocar um sobreaquecimento do aparelho.
2. Verificar o aparelho em relação a danos depois de o desembalar. Não ligar o aparelho se tiver sido danificado durante o transporte.
3. Não bloquear as saídas de ar do aparelho e a folga entre o armário e o aparelho.
4. Deve ser tido o maior cuidado quando mover ou instalar o aparelho. É muito pesado, não inclinar o aparelho segurando na pega da porta.
5. Se o cabo de alimentação ou a ficha de alimentação estiver danificada, deve parar de o utilizar imediatamente para evitar um incêndio, choque elétrico ou outras lesões.

Conteúdo que é importante [nota]

1. Deve ser tido cuidado quando se deslocar o aparelho para evitar danos no aparelho ou danos nos armários.
2. Antes de colocar o aparelho em funcionamento, deve remover da cavidade todos os materiais de embalagem e os acessórios.
3. A tomada de alimentação deve estar acessível para os utilizadores (tal como junto do armário) para um desligamento fácil.
4. Após a instalação estar concluída, assegurar que a ficha de alimentação está firmemente inserida na tomada.
5. Consultar o “Esquema do Armário” para os requisitos em relação à profundidade real do mesmo. A folga entre a parte inferior do armário e a placa traseira (ou parede) não deve ser inferior a 50 mm.

Passos para a instalação

1. Configurar o armário de acordo com o “Esquema do Armário”.
2. Antes da instalação verificar a tomada relativamente a uma tensão normal e se tem ligação à terra e verificar se a dimensão do armário está de acordo com os requisitos da instalação.
3. Colocar o aparelho em localizações designadas na cozinha, instalar o mesmo num armário vertical e ligar a fonte de alimentação.
4. Para localizar os orifícios de fixação da montagem, abrir a porta do aparelho e observar a estrutura lateral do aparelho (posição mostrada acima).
5. Fixar o aparelho ao armário com dois bujões de borracha A e com os parafusos B fornecidos com o aparelho.

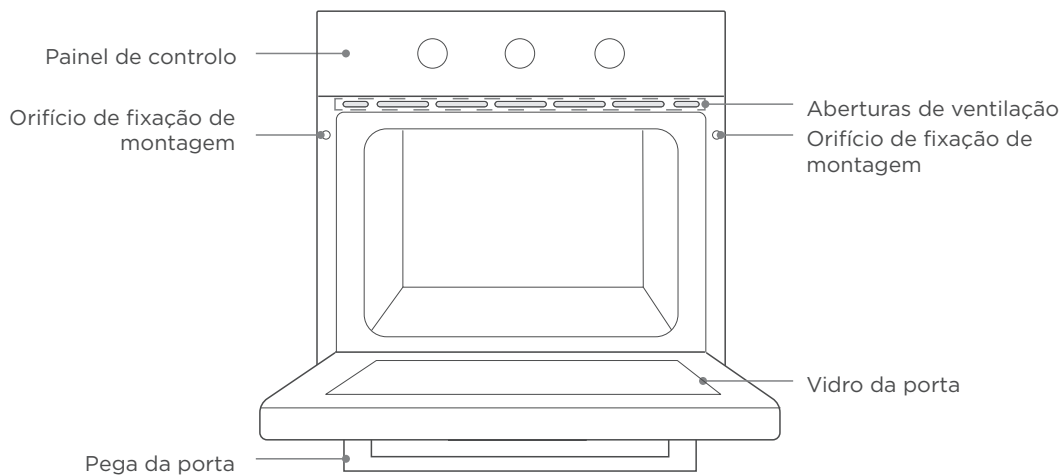


APRESENTAÇÃO DO PRODUTO

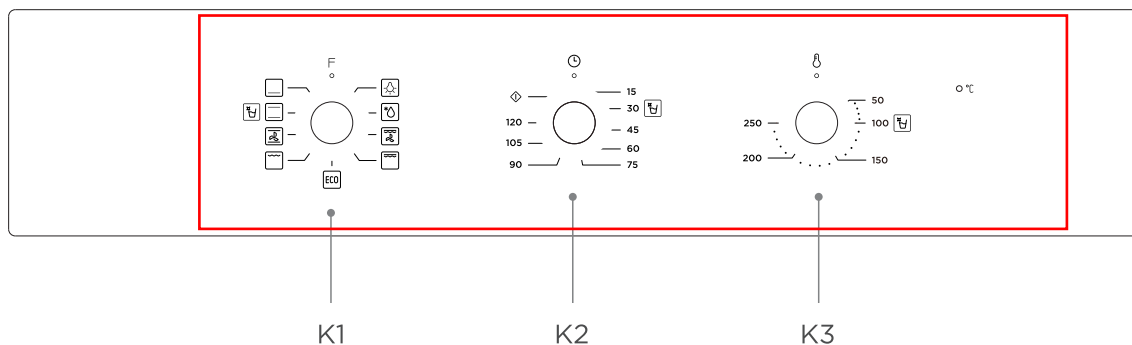
Quando remover os alimentos, deve usar luvas com isolamento de calor para impedir queimaduras!

No momento de abrir a porta do forno, deve prestar atenção ao vapor. Abrir a porta com um ângulo pequeno para evitar que o vapor atinja o seu rosto.

Como o produto está a ser constantemente atualizado, se existir alguma diferença entre o objeto real e a imagem abaixo, consultar o objeto real.



Apresentação do painel de controlo













Rodar o botão B1 para o modo de cozedura.

Rodar o botão B2 para ajustar o tempo.

Rodar o botão B3 para ajustar a temperatura.


Apresentação do modo

Modo	Apresentação do modo
 Lâmpada	A qual permite ao utilizador observar o progresso da cozedura sem abrir a porta. A lâmpada do forno acender-se-á para todas as funções de cozedura, exceto a função ECO.
 Descongelo	Descongelo de alimentos congelados
 Grelhador duplo + ventilador	Churrasco de alimentos uniformes Calor distribuído uniformemente e os dois elementos superiores de aquecimento funcionam simultaneamente.
 Grelhador duplo	Cozinhar pequenas quantidades de alimentos uniformes. Os dois elementos superiores de aquecimento funcionam simultaneamente.
 ECO	Para cozinhar com poupança de energia.
 Calor radiante	Cozinhar pequenas quantidades de alimentos uniformes. Colocar os alimentos na prateleira intermédia da cavidade.
 Calor radiante	A combinação dos ventiladores e dos elementos de aquecimento fornece uma penetração de calor mais uniforme, economizando até 30-40% de energia.
 Convencional	Os elementos de aquecimento superiores e inferiores funcionam ao mesmo tempo, o que os torna ideais para cozer bolos maiores.
 Aquecedor inferior	O calor é fornecido pelos tubos de aquecimento na parte inferior do forno. Principalmente usados para manter os alimentos quentes e para tostar a parte inferior dos alimentos.
 Limpar	O vapor amacia os resíduos dos alimentos ou gordura acumulada na cavidade.

Primeira utilização

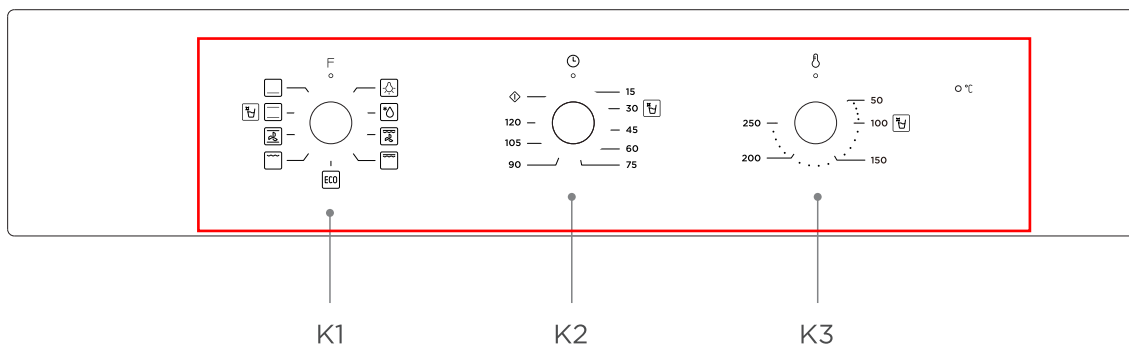
Antes de o utilizar pela primeira vez, limpar o forno e os acessórios.

1. Remover as peças de proteção de transporte da embalagem do forno.
2. Remover todos os acessórios da cavidade (por ex. tabuleiros de cozedura, grelhadores, espuma, etc.).
3. Limpar em profundidade a fixação com água com detergente e um pano ou uma escova macia.
4. Limpar a cavidade e as superfícies do forno com um pano macio humedecido.
5. Para evitar algum incêndio, assegurar que na cavidade não há quaisquer resíduos do material da embalagem: e dos acessórios quando for utilizar o forno pela primeira vez.
6. Quando o usar pela primeira vez, manter a cozinha bem ventilada (ligar o exaustor e abrir as janelas). Durante este tempo, manter as crianças e os animais fora da cozinha e manter as portas e as divisões adjacentes fechadas.
7. Quando usado pela primeira vez, o revestimento anti-corrosão do tubo de aquecimento do forno evapora quando aquecido, o que dará origem a fumo ou cheiro, o que é um fenómeno normal. Deve executar o modo seguinte:

Modo	Temperatura	Tempo
 Calor radiante	250 °C	0,5-1 hora

Passos do funcionamento

1. Rodar o botão B1 para o modo de cozedura.
2. Rodar o botão B2 para ajustar o tempo.
3. Rodar o botão B3 para ajustar a temperatura.



ACESSÓRIOS

Como o produto e os acessórios estão a ser constantemente atualizados, se existir alguma diferença entre o objeto real e a imagem abaixo, consultar o objeto real.

O seu aparelho é acompanhado por uma variedade de acessórios. Aqui, pode encontrar uma visão geral dos acessórios incluídos e a informação de como os utilizar corretamente.

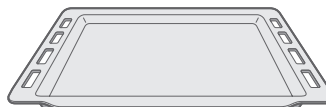
Acessórios incluídos

O seu aparelho está equipado com os seguintes acessórios:



Prateleira para churrasco

Grelhar os alimentos ou colocar recipientes de cozedura resistentes ao calor

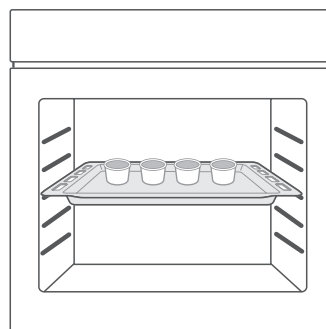
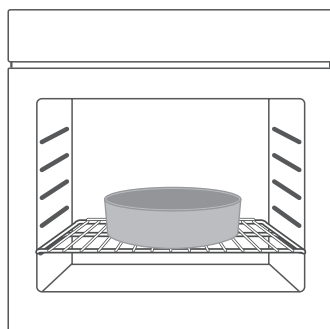
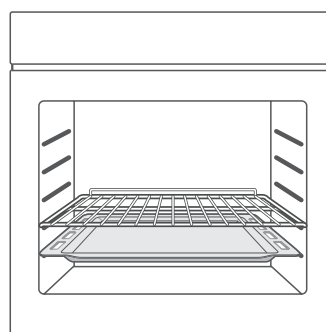
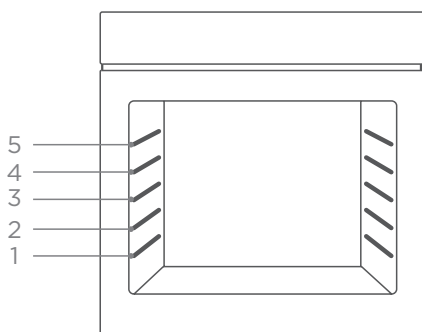


Tabuleiro de cozedura

Cozinhar grandes porções de alimentos ou para aparar restos dos alimentos.

Uso dos acessórios

Para que o forno funcione corretamente, a prateleira do grelhador e o tabuleiro de cozedura devem somente ser colocados entre o primeiro e o quinto níveis. Quando usado ao mesmo tempo, colocar o tabuleiro de cozedura por baixo do grelhador.



LIMPEZA E MANUTENÇÃO

Desligar a fonte de alimentação antes da limpeza e da manutenção.

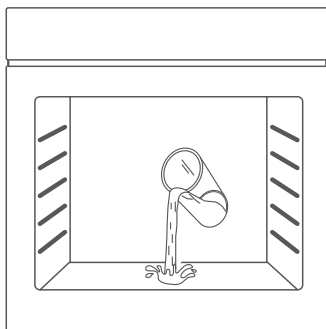
De modo a assegurar a durabilidade do aparelho, o mesmo deve ser totalmente limpo frequentemente.

Método de limpeza 1

1. Depois de a cozedura estar concluída aguardar que o forno arrefeça totalmente.
2. Remover os acessórios do forno, enxaguar com água quente e secar.
3. Usar um pano quente para limpar os resíduos dos alimentos ou a gordura existentes no forno.
4. Limpar a superfície do forno com um pano macio humedecido com detergente e secar.

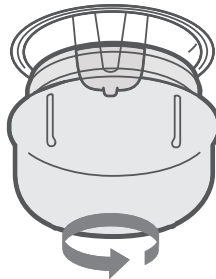
Método de limpeza 2

1. Depois de a cozedura estar concluída aguardar que o forno arrefeça totalmente.
2. Remover os acessórios do forno, enxaguar com água quente e secar.
3. Usar um pano quente para limpar os resíduos dos alimentos ou a gordura existentes no forno.
4. Limpar a superfície do forno com um pano macio humedecido com detergente e secar.
5. Iniciar a função de limpeza. Os passos desta operação são os seguintes:
 - 1). Adicionar cerca de 250 ml de água purificada e uma quantidade apropriada de detergente da loiça na cavidade e misturar bem.
 - 2). Com a porta do forno fechada, rodar o Botão 1 para a posição "☒".
 - 3). Rodar o botão K2 para a posição "30 minutos".
 - 4). Rodar o botão K3 para a posição "100°C".
6. Depois de o forno ter arrefecido totalmente, secar a cavidade com uma esponja absorvente limpa ou com um pano macio.



Substituição da lâmpada

1. Apagar e desligar a alimentação do forno. Assegurar que as partes interiores estão frias antes de tocar nas mesmas.
2. Remover a tampa da lâmpada rodando-a no sentido anti-horário (ter em atenção que pode estar presa), substituir a lâmpada por outra nova do mesmo tipo.
3. Inserir a nova lâmpada, a qual deve ser resistente a 300 °C. Para lâmpadas de substituição deve contactar um centro de assistência local.
4. Voltar a colocar a tampa.
5. Se existir alguma dúvida, deve consultar um eletricista qualificado a fim de obter ajuda.



AVISO:



Para evitar choques elétricos assegurar que a alimentação elétrica ao aparelho está desligada e que o aparelho está totalmente frio antes de remover a lâmpada.

RESOLUÇÃO DE PROBLEMAS

Se o problema não puder ser resolvido ou ocorrerem outros problemas, deve contactar o serviço pós-venda.

O fenómeno do problema	Causa possível	Método de processamento
Depois da cozedura, o aparelho continua fazer o mesmo som de quando está em funcionamento (o som de um ventilador em funcionamento).	Ventilação deferida usada para a dissipação do calor.	Em condições normais, os alimentos podem ser retirados normalmente sem qualquer tratamento especial. Não desligar o ventilador enquanto o mesmo estiver em funcionamento.
Há um som na cavidade do forno quando o forno está em funcionamento.	<ol style="list-style-type: none"> O som de uma cavidade a expandir-se com o calor e a contrair-se com o frio. A cavidade do forno não é limpa há muito tempo, daí acumular muita gordura. 	<ol style="list-style-type: none"> Sendo uma situação normal, não é necessária qualquer ação. Limpar o tubo de aquecimento e a cavidade do forno com uma toalha limpa.
A primeira utilização tem um cheiro desagradável.	O tubo de aquecimento com revestimento anti-corrosivo, aquece e depois produz o cheiro do revestimento a derreter.	Durante a primeira utilização, deve aquecer a cavidade num ambiente bem ventilado durante meia hora.
O aparelho está a deitar fumo.	<ol style="list-style-type: none"> Danos devido a avaria do aparelho. A cavidade do forno tem óleo, resíduos de alimentos, etc, não foi limpo em devido tempo. 	<ol style="list-style-type: none"> Desligar a alimentação e contactar o serviço de assistência. Limpar o tubo de aquecimento e a cavidade do forno com uma toalha limpa.
Os alimentos não estão cozinhados.	<ol style="list-style-type: none"> O tempo de aquecimento é demasiado curto. Porções demasiado grandes dos alimentos. 	<ol style="list-style-type: none"> Prolongar adequadamente o tempo de aquecimento. Cortar os alimentos em pedaços pequenos ou cozinhar os mesmo por diversas vezes.
A iluminação do forno não acende.	A lâmpada do forno está partida.	Contactar o serviço de assistência.

PARÂMETROS TÉCNICOS

Modelo	HMBM702X		
Volume utilizável	65L	Tensão estipulada	220-240V-
ECElectric, cavidade 	0.99 kW h/ciclo	Frequência estipulada	50Hz-60Hz
ECElectric, cavidade 	0.77 kW h/ciclo	Alimentação ECElectric	3.0 kW
Classe de eficiência energética	A		

RECICLAGEM DO PRODUTO

Este símbolo no produto ou no manual de instruções indica que o seu aparelho deve ser eliminado separadamente dos resíduos domésticos no fim da respetiva vida útil. Há localmente um sistema separado de reciclagem para realizar a reciclagem deste tipo de aparelhos. Para mais informações, deve contactar a autoridade local ou a loja onde comprou o seu aparelho.



Quando tiver desembalado o forno, assegurar que este não tenha sido danificado de nenhuma forma. Se tiver alguma dúvida, não utilizar o forno: contactar um técnico profissionalmente qualificado. Manter os materiais da embalagem como sacos de plástico, poliestireno ou pregos fora do alcance de crianças, porque estes materiais são perigosos para as mesmas.

Benavent



HORNO INTEGRABLE Manual de instrucciones

HMBM702X

Antes de usar este producto, lea detenidamente este manual y guárdelo como referencia futura.

DIRECTORIO

INFORMACIÓN DE SEGURIDAD	INFORMACIÓN DE SEGURIDAD	1-4
<hr/>		
INSTALACIÓN	Diagrama del armario (en columna)	5
	Diagrama del armario (armario bajo encimera)	6
	Instrucciones importantes de instalación	7
	Pasos de instalación	8
<hr/>		
INTRODUCCIÓN AL PRODUCTO	Introducción al panel de control	9
	Introducción a los modos de cocinado	10
	Primer uso	11
	Pasos de la operación	11
<hr/>		
ACCESORIOS	Accesorios incluidos	12
	Uso de los accesorios	12
<hr/>		
MANTENIMIENTO Y LIMPIEZA	Método de limpieza 1	13
	Método de limpieza 2	13
	Sustitución de la lámpara	14
<hr/>		
GESTIÓN DE AVERÍAS	GESTIÓN DE AVERÍAS	15
<hr/>		
PARÁMETROS TÉCNICOS	PARÁMETROS TÉCNICOS	15
<hr/>		
RECICLAJE DEL PRODUCTO	RECICLAJE DEL PRODUCTO	16

INFORMACIÓN DE SEGURIDAD

¡Gracias por elegirnos! Lea todas las instrucciones antes de usar este electrodoméstico. Este manual contiene información valiosa sobre el funcionamiento, mantenimiento y cuidados. Guárdelo en un lugar seguro para futuras referencias. En caso de que el aparato se venda o se transfiera a otro propietario, o en caso de que usted se mude y deje el aparato, asegúrese siempre de que el manual permanezca con el aparato para que el nuevo propietario pueda familiarizarse con el funcionamiento del aparato y las advertencias pertinentes.

ESTAS ADVERTENCIAS SE PROPORCIONAN EN INTERÉS DE LA SEGURIDAD. POR FAVOR, LÉALAS DETENIDAMENTE ANTES DE INSTALAR O UTILIZAR EL APARATO. Para conservar la EFICIENCIA y la SEGURIDAD de este electrodoméstico, es recomendable:

- Llamar solamente a los centros de reparaciones autorizados por la tienda en la que compró el horno
 - Utilizar siempre repuestos originales
1. Cuando se enciende en horno por primera vez, puede que emita un olor desagradable. Esto se debe al agente adhesivo usado para los paneles de aislamiento del interior del horno. Ponga en funcionamiento el nuevo producto vacío con la función de cocinado convencional, a 250 °C, durante 90 minutos para limpiar las impurezas de aceite del interior de la cavidad.
 2. Cuando lo utilice por primera vez, habrá un olor penetrante o humo, lo cual es normal. Si esto ocurre, debería esperar a que el olor o el humo desaparezca antes de poner comida en el horno.
 3. Utilice el producto en un entorno donde exista circulación de aire.
 4. El aparato y sus piezas accesible se calientan durante su uso. Se debe tener cuidado para evitar tocar los elementos térmicos. Niños menores de 8 años deben permanecer lejos del horno a menos que estén continuamente bajo supervisión.
 5. Si la superficie presenta grietas, apague el aparato para evitar la posibilidad de una descarga eléctrica.

6. Este aparato pueden usarlo niños con una edad de 8 años o más y personas con capacidades físicas, sensoriales o mentales reducidas o falta de experiencia o conocimientos siempre y cuando se les haya supervisado o hayan recibido instrucciones respecto al uso del aparato de forma segura y entiendan los riesgos que implica. Los niños no deben jugar con el aparato. Los niños no deben realizar la limpieza o el mantenimiento del usuario sin supervisión.
7. Durante su uso, el aparato se calienta mucho. Se debe tener cuidado para evitar tocar elementos térmicos dentro del horno.
8. No deje que los niños se acerquen al horno mientras está funcionando, en especial cuando el grill esté encendido.
9. Asegúrese de que el aparato está apagado antes de sustituir la bombilla de horno para evitar la posibilidad de una descarga eléctrica.
10. Se debe incorporar un medio de desconexión en el cableado fijo conforme a las especificaciones de cableado.
11. Se debe supervisar a los niños para asegurarse de que no juegan con el aparato.
12. Este aparato no está diseñado para usarse por parte de personas (incluidos niños) con capacidades físicas, sensoriales o mentales reducidas o con falta de conocimientos o experiencia salvo que se les haya dado una supervisión o instrucciones adecuadas respecto al uso del aparato por parte de una persona responsable de su seguridad.
13. Las partes accesibles pueden calentarse durante su uso. Se debe mantener alejado a los niños pequeños.
14. Se debe incorporar una desconexión de todos los polos en el cableado fijo conforme a la normativa de cableado.
15. Si el cable de alimentación presenta daños, el fabricante, su agente de servicio o personas con una cualificación similar deben sustituirlo para evitar cualquier riesgo.

16. No use limpiadores abrasivos duros o ralladores metálicos afilados para limpiar el cristal de la puerta del microondas ya que pueden arañar la superficie, lo que puede provocar que se destroce el cristal.
17. Use únicamente la sonda de temperatura recomendada para este horno.
18. No debe usarse un limpiador a vapor.
19. El aparato no está diseñado para ser utilizado mediante un temporizador externo o un sistema separado de mando a distancia.
20. Las instrucciones para aquellos hornos que disponen de estanterías deben incluir detalles que indiquen la instalación correcta de las estanterías.
21. No use el horno salvo que lleve puesto algo en los pies. No toque el horno con las manos o los pies húmedos o mojados.
22. Para el horno: No debe abrirse la puerta del horno durante el periodo de cocinado.
23. Un técnico autorizado debe instalar el aparato y ponerlo en funcionamiento. El fabricante no asume ninguna responsabilidad por cualquier daños que pudiera provocarse por una colocación e instalación defectuosa realizada por personal no autorizado.
24. Cuando la puerta o el cajón del horno estén abiertos, no deje nada en ellos, puede desequilibrar el aparato y romper la puerta.
25. Algunas piezas del aparato pueden permanecer calientes durante mucho tiempo, es necesario esperar a que se enfríen antes de tocar los puntos que están expuestos al calor directamente.
26. Si no va a usar el aparato durante un periodo prolongado de tiempo, le aconsejamos que lo desenchufe.

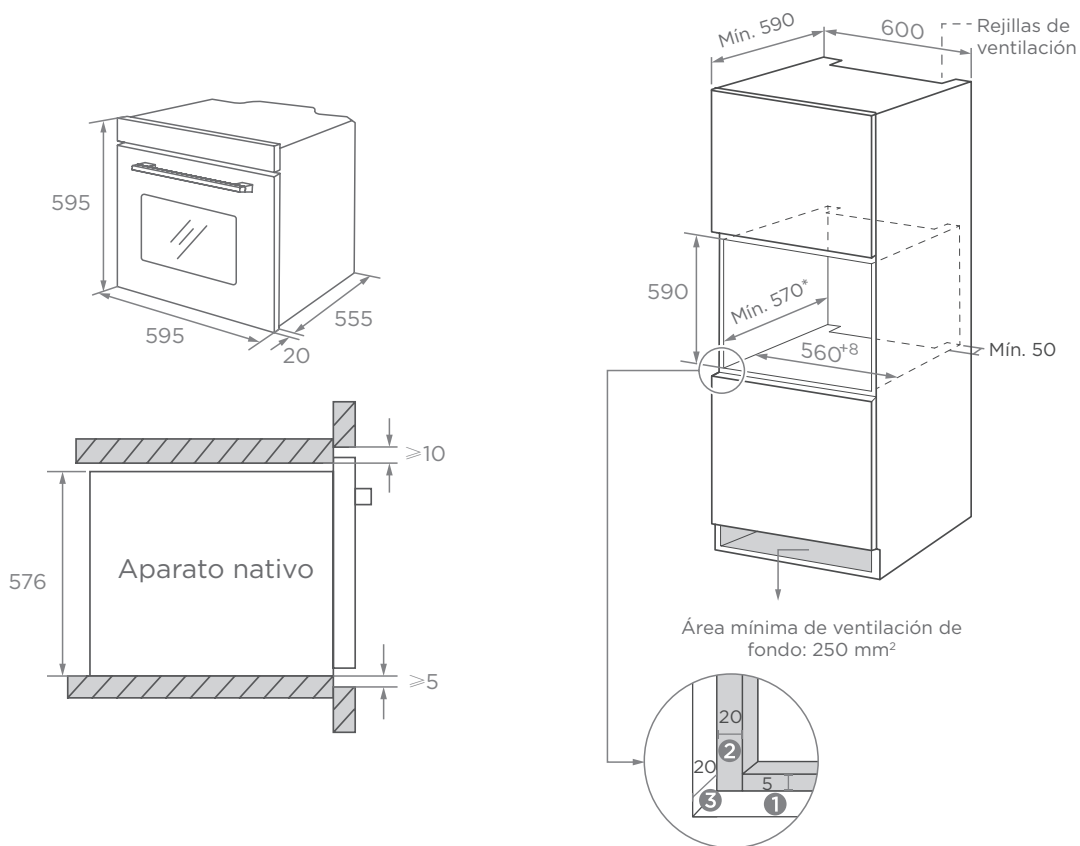
DECLARACIÓN DE CONFORMIDAD

Cuando haya desembalado el horno, asegúrese de que no presente daños de ninguna de las maneras. Si tiene cualquier duda, no lo use y póngase en contacto con una persona profesional cualificada. Mantenga los materiales del embalaje, como bolsas de plástico, poliestireno o clavos fuera del alcance de los niños ya que son peligrosos para ellos.

INSTALACIÓN

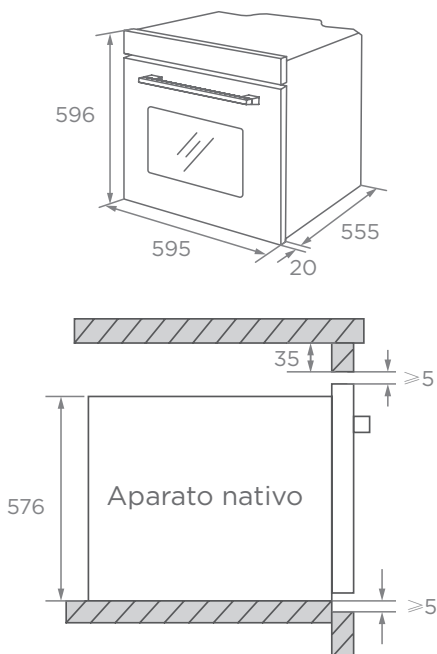
1. Como el aparato se mejora constantemente, el aparato real prevalecerá en el caso de que las imágenes no coincidan con el aparato real.
2. El tablero del armario tiene un grosor de 20 mm.
3. Si la toma de corriente se encuentra en la parte trasera del aparato, es necesario aumentar el fondo de la apertura del armario desde el mínimo de 590 mm hasta 620 mm.
4. Las dimensiones de las figuras están en mm.

Diagrama del armario (en columna)

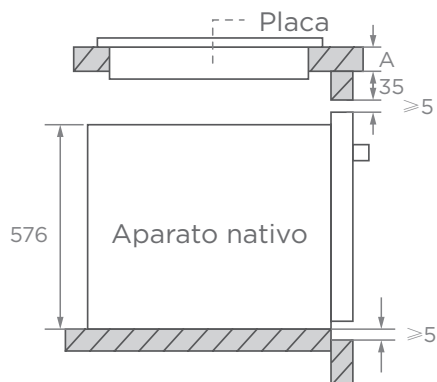


- 1 Reserve 5 mm para el panel de la puerta en la parte superior e inferior respectivamente.
- 2 Reserve 20 mm para el panel de la puerta a izquierda y derecha respectivamente.
- 3 Reserve 20 mm en grosor para el panel de la puerta.

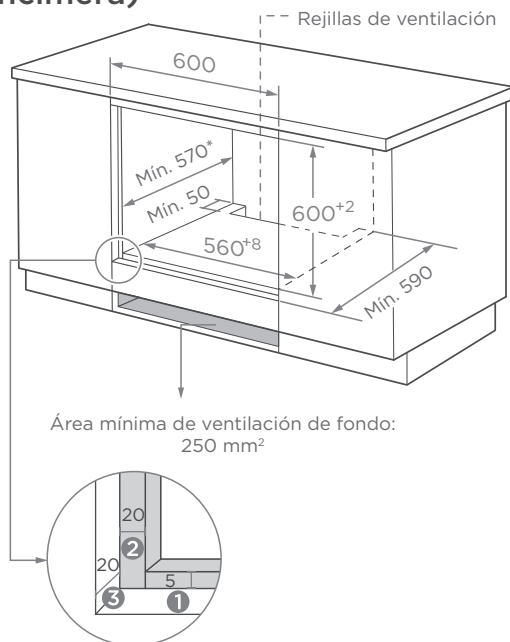
Diagrama del armario (armario bajo encimera)



Sin placa de cocina



Con placa de cocina



Área mínima de ventilación de fondo:
250 mm²

- ❶ Reserve 5 mm para el panel de la puerta en la parte superior e inferior respectivamente.
- ❷ Reserve 20 mm para el panel de la puerta a izquierda y derecha respectivamente.
- ❸ Reserve 20 mm en grosor para el panel de la puerta.

Si el aparato se instala debajo de la placa de cocina, el grosor mínimo de la encimera A, se muestra a continuación:

Tipo de placa de cocina	Encimera A
Placa de inducción	37 mm
Placa de inducción de superficie completa	47 mm
Cocina de gas	30 mm
Cocina eléctrica	27 mm

Instrucciones importantes de instalación

Contenido que indica [obligatoriedad]

1. El funcionamiento seguro de este aparato sólo puede garantizarse si se ha instalado según normativas profesionales de acuerdo con estas instrucciones de instalación. El instalador debe responsabilizarse de cualquier daño resultante de una instalación incorrecta.
2. El proceso completo de instalación requiere de dos instaladores profesionales. Durante la instalación hay que utilizar guantes de protección secos para evitar arañazos y descargas eléctricas.
3. Otras unidades instaladas deben ser resistentes al calor hasta 90°C, y los frentes de las unidades adyacentes hasta los 70 °C.
4. Utilice una toma de corriente de 16 A.

Contenido que indica [prohibición]

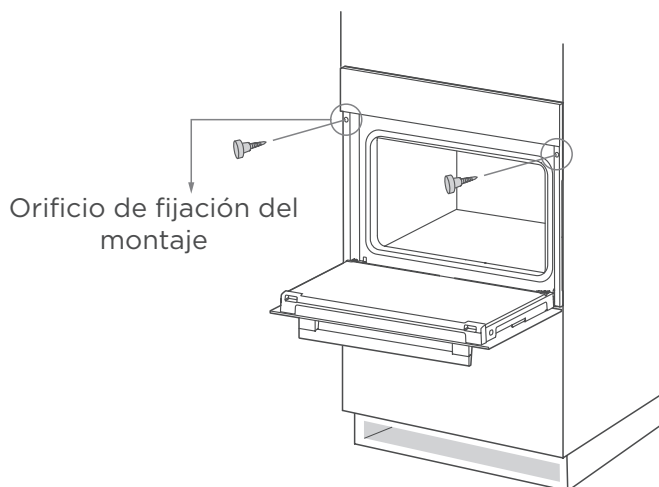
1. No instale el aparato detrás de una puerta decorativa o detrás de la puerta de la cocina, ya que la falta de circulación de aire causaría el sobrecalentamiento de la unidad.
2. Después de desembalar el aparato, compruebe que no presenta daños. No enchufe el aparato si ha sufrido algún daño durante el transporte.
3. No bloquee las rejillas de ventilación ni el espacio entre el mueble y el aparato.
4. Extreme las precauciones cuando mueva o instale el aparato. Es muy pesado, no lo levante agarrando por el asa de la puerta.
5. Si el enchufe o el cable de alimentación presentan daños, deje de usar el aparato inmediatamente para evitar un incendio, una descarga eléctrica u otro tipo de lesiones.

Contenido que indica [comentario]

1. Tenga mucho cuidado al mover o instalar el aparato para evitar daños en el armario o en el propio aparato.
2. Antes de usar el aparato, retire todos los materiales de embalaje y accesorios del interior.
3. La toma de corriente deberá ser accesible para los usuario (próxima al armario) para una desconexión rápida.
4. Después de finalizar la instalación, asegúrese de que el enchufe esté correctamente introducido en la toma de corriente.
5. Consulte el «Diagrama del armario» para conocer los requisitos sobre el fondo del armario. El espacio libre entre el tablero inferior del armario y el tablero trasero (o pared) no debe ser inferior a 50 mm.

Pasos de instalación

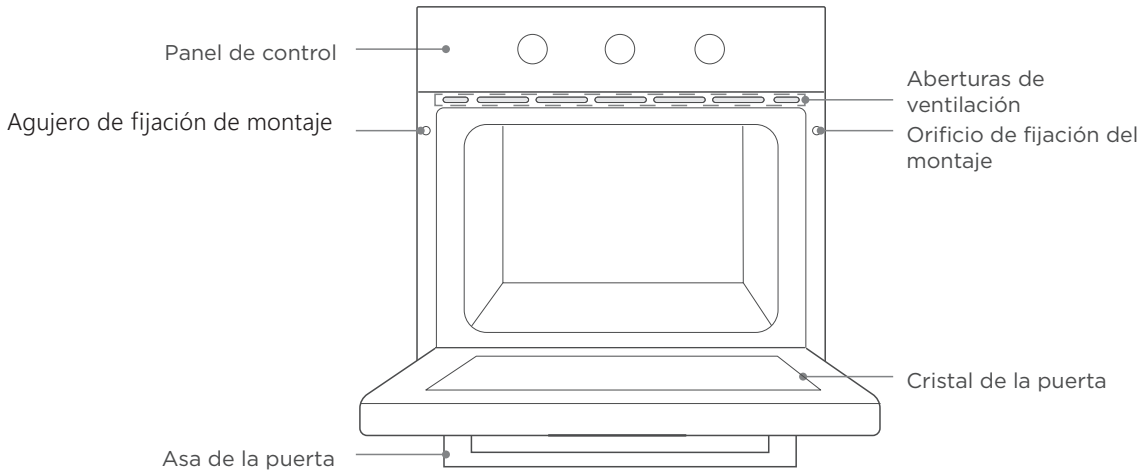
1. Personalice el armario de acuerdo con el «Diagrama del armario».
2. Antes de la instalación, compruebe que la toma de corriente es normal con su correspondiente toma de tierra, y compruebe que las dimensiones del armario cumplen los requisitos de instalación.
3. Coloque el aparato en el lugar designado de la cocina, en un armario vertical, y conecte la toma de corriente.
4. Para localizar los orificios de fijación del montaje, abra la puerta y fijese en el marco lateral del aparato (la posición se indica en la imagen anterior).
5. Fije el aparato al armario usando los dos tapones de goma A y los tornillos B suministrados con el aparato.



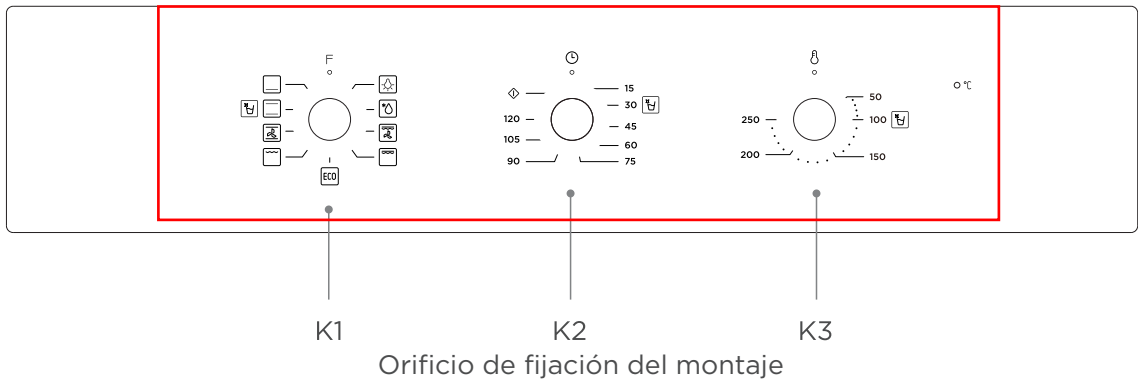
INTRODUCCIÓN AL PRODUCTO

Al sacar la comida del interior, use guantes aislantes del calor para evitar quemaduras. En el momento de abrir la puerta del horno, preste atención al vapor. Abra la puerta solo un poco para evitar que el vapor le llegue a la cara.

Como el producto se mejora constantemente, si observa diferencias entre el aparato real y las imágenes siguientes, el aparato real tiene preferencia.



Introducción al panel de control













Gire el control K1 para el modo de cocinado.

Gire el control K2 para ajustar el tiempo.

Gire el control K3 para ajustar la temperatura.


Introducción a los modos de cocinado

Modo	Introducción a los modos de cocinado
 Lámpara	Que permite al usuario observar el progreso del cocinado sin tener que abrir la puerta. La lámpara del horno se iluminará con todas las funciones de cocinado, excepto la función ECO.
 Descongelación	Descongele alimentos congelados.
 Asado doble + ventilador	Comida fileteada para barbacoa. Se distribuye uniformemente el calor y los dos elementos calentadores superiores funcionan simultáneamente.
 Asado doble	Hornee pequeñas cantidades de comida fileteada. Los dos elementos calentadores superiores funcionan simultáneamente.
 ECO	Para cocinar ahorrando energía.
 Calor por radiación	Hornee pequeñas cantidades de comida. Coloque la comida en el nivel de en medio.
 Calor por radiación	La combinación de ventiladores y elementos calentadores proporciona una penetración más uniforme del calor, ahorrando hasta un 30-40% de energía.
 Convencional	Los elementos calentadores superior e inferior funcionan al mismo tiempo, ideal para hornear pasteles de gran tamaño.
 Calentador inferior	El calor se proporciona mediante tubos calefactores en la parte inferior del horno. Se usa principalmente para mantener la comida caliente y tostar la parte inferior de la comida.
 Limpieza	El vapor ablanda los residuos de las comidas o la grasa del interior del horno.

Primer uso

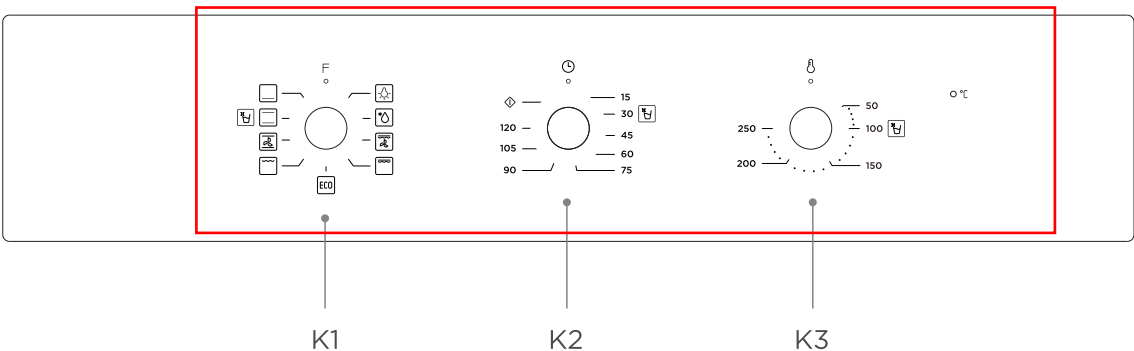
Antes de usar el horno por primera vez, limpie el horno y los accesorios hasta cierto punto.

1. Retire los elementos de embalaje utilizados durante el transporte del horno.
2. Saque todos los accesorios (p. ej.: bandejas de horneado, parrillas, espuma, etc.) del interior del horno.
3. Limpie a fondo los accesorios con agua jabonosa y un trapo o cepillo suave.
4. Limpie el interior del horno y las superficies exteriores con una bayeta humedecida.
5. Para evitar un incendio, asegúrese de que en el interior del horno no queden restos del material de embalaje y accesorios cuando lo utilice por primera vez.
6. La primera vez que use el horno, mantenga la cocina ventilada (abra las ventanas y encienda la campana). Durante este tiempo, mantenga a los niños y las mascotas fuera de cocina y cierre las puertas de las habitaciones adyacentes.
7. Cuando use el horno por primera vez, el revestimiento anticorrosivo del tubo calefactor del horno se evapora cuando se calienta, lo que producirá un olor penetrante o humo, que es un fenómeno normal. Utilice el modo siguiente:

Modo	Temperatura	Tiempo
 Calor por radiación	250 °C	0,5 - 1 hora

Pasos de la operación

1. Gire el control K1 para el modo de cocinado.
2. Gire el control K2 para ajustar el tiempo.
3. Gire el control K3 para ajustar la temperatura.



ACCESORIOS

Como los productos y accesorios se mejoran constantemente, si observa diferencias entre el aparato real y las imágenes siguientes, el aparato real tiene preferencia.

Su aparato viene de fábrica con un juego de accesorios. Aquí puede encontrar una visión general de los accesorios incluidos y la información sobre cómo usarlos correctamente.

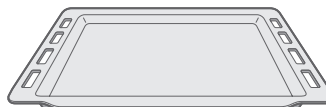
Accesorios incluidos

Si aparato está equipado con los accesorios siguientes:



Rejilla para barbacoas

Ase alimentos o coloque recipientes de cocina resistentes al calor

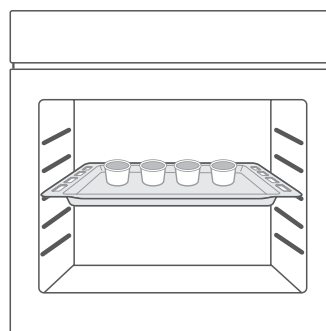
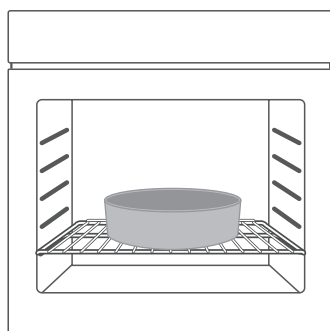
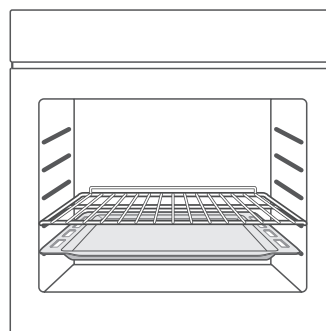
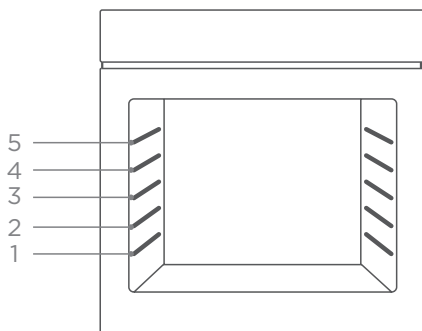


Bandeja de cocción

Cocine grandes porciones de comida o úsela para recoger los restos de comida

Uso de los accesorios

Para que el horno funcione correctamente, la rejilla y la bandeja solo se deberían colocar entre el primer y el quinto nivel. Cuando las use juntas, coloque la bandeja debajo de la rejilla.



LIMPIEZA Y MANTENIMIENTO


Desconecte la alimentación eléctrica antes de limpiar o realizar trabajos de mantenimiento en el horno.

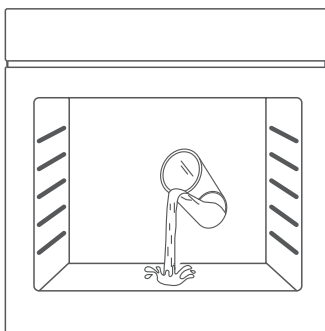
Para garantizar una larga vida útil del aparato, debería limpiarlo a fondo con frecuencia.

Método de limpieza 1

1. Después de terminar de cocinar, espere a que el horno se enfríe completamente.
2. Saque los accesorios del horno, enjuáguelos con agua caliente y séquelos.
3. Use un trapo caliente para limpiar los residuos de comida o grasa del horno.
4. Limpie la superficie del horno con una bayeta humedecida con detergente y luego, séquela.

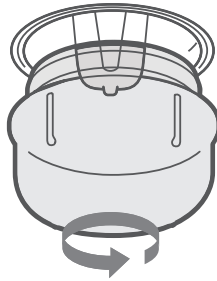
Método de limpieza 2

1. Después de terminar de cocinar, espere a que el horno se enfríe completamente.
2. Saque los accesorios del horno, enjuáguelos con agua caliente y séquelos.
3. Use un trapo caliente para limpiar los residuos de comida o grasa del horno.
4. Limpie la superficie del horno con una bayeta humedecida con detergente y luego, séquela.
5. Inicie la función de limpieza. Los pasos de la operación son los siguientes:
 - 1). Coloque 250 ml de agua purificada y una cantidad apropiada de jabón lavavajillas en el interior del horno, y agite bien la mezcla.
 - 2). Con la puerta del horno cerrada, gire el control K1 a la posición «».
 - 3). Gire el control K2 a la posición de «30 minutos».
 - 4). Gire el control K3 a la posición de «100 °C».
6. Después de que el horno se haya enfriado completamente, seque el interior del horno con una esponja o gamuza absorbente limpia.



Sustitución de la lámpara

1. Apague el horno y desconecte la alimentación. Asegúrese de que las partes internas estén frías antes de tocarlas.
2. Retire la cubierta de la lámpara girándola en sentido antihorario (nota, debe estar rígida) y cambie la bombilla por una nueva del mismo tipo.
3. Coloque la bombilla nueva, que tiene que resistir los 300 °C. Para solicitar una bombilla de reemplazo, contacte con su centro de servicio local.
4. Vuelva a colocar la cubierta.
5. Si tiene alguna duda, solicite la ayuda de un electricista cualificado.



ADVERTENCIA:



Para evitar descargas eléctricas, asegúrese de que la alimentación eléctrica del aparato está desconectada y el aparato está completamente frío antes de retirar la cubierta de la lámpara.

GESTIÓN DE AVERÍAS

Si no puede solventar el problema, o surgen nuevos problemas, contacte con el servicio de posventa.

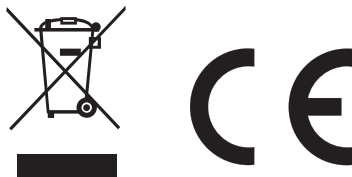
Causa de la avería	Posibles causas	Modo de proceder
Después de cocinar, el aparato suena como si estuviera funcionando (el sonido del ventilador girando).	Retardo de apagado del ventilador, para la disipación del calor.	En condiciones normales, la comida se puede sacar del horno sin tener que hacer nada para solucionarlo; no desenchufe el ventilador mientras esté en funcionamiento.
Hay un sonido en el interior del horno cuando está en funcionamiento.	<ol style="list-style-type: none"> 1. Los materiales del interior del horno se expanden con el calor y se contraen cuando se enfrían. 2. El interior del horno no se ha limpiado en un largo periodo de tiempo, por lo que ha acumulado gran cantidad de grasa. 	<ol style="list-style-type: none"> 1. Esto ocurre en condiciones normales, no tiene por qué preocuparse. 2. Limpie el tubo calentador y el interior del horno con una toallita limpia.
La primera vez que se usa genera un olor desagradable.	El tubo calentador con revestimiento anticorrosivo genera olor al fundirse el revestimiento al calentarse.	Para el primer uso, caliente el interior del horno en un entorno bien ventilado durante media hora.
La máquina echaba humo.	<ol style="list-style-type: none"> 1. Daños por fallo del producto. 2. El interior del horno tiene aceite, residuos de comida, etc., y no se ha limpiado a tiempo. 	<ol style="list-style-type: none"> 1. Apague el aparato y contacte con el servicio de posventa. 2. Limpie el tubo calentador y el interior del horno con una toallita limpia.
La comida no se cocina.	<ol style="list-style-type: none"> 1. El tiempo de horneado es demasiado corto. 2. El tamaño de los trozos de alimentos son muy grandes. 	<ol style="list-style-type: none"> 1. Aumente el tiempo de horneado consecuentemente. 2. Parta los alimentos en trozos más pequeños o cocine en varias veces.
La luz del horno no se enciende.	La lámpara del horno está rota.	Contacte con el servicio de posventa.

PARÁMETROS TÉCNICOS

Modelo	HMBM702X		
Volumen útil	65 L	Tensión nominal	220-240V-
ECElectric, interior 	0.99 kWh/ciclo	Frecuencia nominal	50 Hz - 60 Hz
ECElectric, interior 	0.77 kWh/ciclo	Potencia ECElectric	3,0 kW
Clase de eficiencia energética	A		

RECICLAJE DEL PRODUCTO

Este símbolo en el producto o en el manual de instrucciones indica que su aparato, al final de su vida útil, debe eliminarse por separado de la basura doméstica. En su ciudad hay un sistema de recogida selectiva de basuras para su reciclaje. Para obtener más información, póngase en contacto con las autoridades locales o con el distribuidor donde adquirió el producto.



Cuando haya desmontado el horno, asegúrese de que no presente daños de ninguna de las maneras. Si tiene cualquier duda, no lo use y póngase en contacto con una persona profesional cualificada. Mantenga los materiales del embalaje, como bolsas de plástico, poliestireno o clavos fuera del alcance de los niños ya que son peligrosos para ellos.

PN:16171100A40763